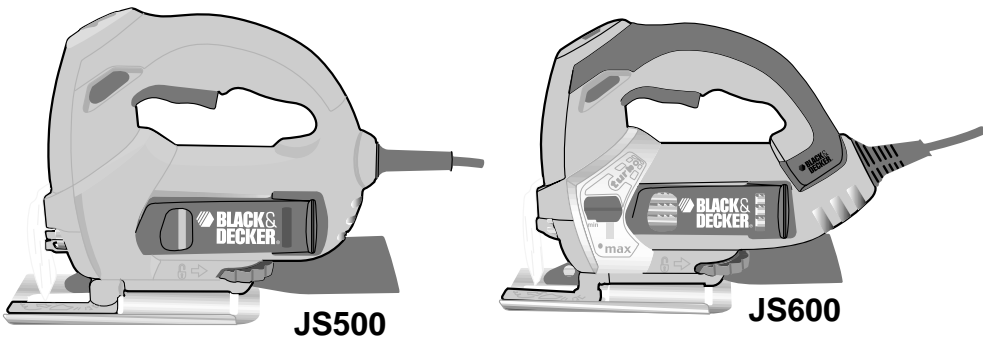


INSTRUCTION MANUAL

Cat. No. JS500, JS600



BEFORE RETURNING THIS PRODUCT FOR ANY REASON PLEASE CALL
1-800-544-6986

IF YOU SHOULD HAVE A QUESTION OR EXPERIENCE A PROBLEM WITH YOUR BLACK & DECKER PRODUCT, CALL **1-800-544-6986**

BEFORE YOU CALL, HAVE THE FOLLOWING INFORMATION AVAILABLE, CATALOG No., TYPE No., AND DATE CODE (e.g. 0130M). IN MOST CASES, A BLACK & DECKER REPRESENTATIVE CAN RESOLVE YOUR PROBLEM OVER THE PHONE. IF YOU HAVE A SUGGESTION OR COMMENT, GIVE US A CALL. YOUR FEEDBACK IS VITAL TO BLACK & DECKER.

SAVE THIS MANUAL FOR FUTURE REFERENCE.

VEA EL ESPAÑOL EN LA CONTRAPORTADA.

INSTRUCTIVO DE OPERACIÓN, CENTROS DE SERVICIO Y PÓLIZA DE GARANTÍA. ADVERTENCIA: LÉASE ESTE INSTRUCTIVO ANTES DE USAR EL PRODUCTO.

CAT. NO. JS500, JS600 FORM NO. 583765-00 Copyright © 2003 Black & Decker (MAR-03) Printed in China

General Safety Rules

WARNING: Read and understand all instructions. Failure to follow all instructions listed below may result in electric shock, fire and/or serious personal injury.

SAVE THESE INSTRUCTIONS

Work Area

- **Keep your work area clean and well lit.** Cluttered benches and dark areas invite accidents.
- **Do not operate power tools in explosive atmospheres, such as in the presence of flammable liquids, gases, or dust.** Power tools create sparks which may ignite the dust or fumes. Use in well ventilated areas only.
- **Keep bystanders, children, and visitors away while operating a power tool.** Distractions can cause you to lose control.

Electrical Safety

- **Double insulated tools are equipped with a polarized plug (one blade is wider than the other.) This plug will fit in a polarized outlet only one way. If the plug does not fit fully in the outlet, reverse the plug. If it still does not fit, contact a qualified electrician to install a polarized outlet. Do not change the plug in any way.** Double insulation eliminates the need for the three wire grounded power cord and grounded power supply system.
- **Avoid body contact with grounded surfaces such as pipes, radiators, ranges and refrigerators.** There is an increased risk of electric shock if your body is grounded.
- **Don't expose power tools to rain or wet conditions.** Water entering a power tool will increase the risk of electric shock.
- **Do not abuse the cord. Never use the cord to carry the tools or pull the plug from an outlet. Keep cord away from heat, oil, sharp edges or moving parts. Replace damaged cords immediately.** Damaged cords increase the risk of electric shock.
- **When operating a power tool outside, use an outdoor extension cord marked "W-A" or "W."** These cords are rated for outdoor use and reduce the risk of electric shock.

Personal Safety

- **Stay alert, watch what you are doing and use common sense when operating a power tool. Do not use tool while tired or under the influence of drugs, alcohol, or medication.** A moment of inattention while operating power tools may result in serious personal injury.
- **Dress properly. Do not wear loose clothing or jewelry. Contain long hair. Keep your hair, clothing, and gloves away from moving parts.** Loose clothing, jewelry, or long hair can be caught in moving parts. Air vents cover moving parts and should be avoided.
- **Avoid accidental starting. Be sure switch is off before plugging in.** Carrying tools with your finger on the switch or plugging in tools that have the switch on invites accidents.
- **Remove adjusting keys or wrenches before turning the tool on.** A wrench or key that is left attached to a rotating part of the tool may result in personal injury.
- **Do not overreach. Keep proper footing and balance at all times.** Proper footing and balance enables better control of the tool in unexpected situations.
- **Use safety equipment. Always wear eye protection.** Dust mask, non-skid safety shoes, hard hat, or hearing protection must be used for appropriate conditions.

Tool Use and Care

- **Use clamps or other practical way to secure and support the workpiece to a stable platform.** Holding the work by hand or against your body is unstable and may lead to loss of control.
- **Do not force tool. Use the correct tool for your application.** The correct tool will do the job better and safer at the rate for which it is designed.
- **Do not use tool if switch does not turn it on or off.** Any tool that cannot be controlled with the switch is dangerous and must be repaired.
- **Disconnect the plug from the power source before making any adjustments, changing accessories, or storing the tool.** Such preventative safety measures reduce the risk of starting the tool accidentally.
- **Store idle tools out of reach of children and other untrained persons.** Tools are dangerous in the hands of untrained users.
- **Maintain tools with care. Keep cutting tools sharp and clean.** Properly maintained tools, with sharp cutting edges are less likely to bind and are easier to control.

- **Check for misalignment or binding of moving parts, breakage of parts, and any other condition that may affect the tools operation. If damaged, have the tool serviced before using.** Many accidents are caused by poorly maintained tools.
- **Use only accessories that are recommended by the manufacturer for your model.** Accessories that may be suitable for one tool, may become hazardous when used on another tool.

Service

- **Tool service must be performed only by qualified repair personnel.** Service or maintenance performed by unqualified personnel could result in a risk of injury.
- **When servicing a tool, use only identical replacement parts. Follow instructions in the Maintenance section of this manual.** Use of unauthorized parts or failure to follow Maintenance Instructions may create a risk of electric shock or injury.

Specific Safety Rules

- **Hold tool by insulated gripping surfaces when performing an operation where the cutting tool may contact hidden wiring or its own cord.** Contact with a "live" wire will make exposed metal parts of the tool "live" and shock the operator.
- **Keep hands away from cutting area.** Never reach underneath the material for any reason. Hold front of saw by grasping the contoured gripping area. Do not insert fingers or thumb into the vicinity of the reciprocating blade and blade clamp. Do not stabilize the saw by gripping the shoe.
- **Keep blades sharp.** Dull blades may cause the saw to swerve or stall under pressure.
- **When cutting pipe or conduit** ensure that they are free from water, electrical wiring, etc.

WARNING: Some dust created by power sanding, sawing, grinding, drilling, and other construction activities contains chemicals known to cause cancer, birth defects or other reproductive harm. Some examples of these chemicals are:

- lead from lead-based paints,
- crystalline silica from bricks and cement and other masonry products, and
- arsenic and chromium from chemically-treated lumber (CCA).

Your risk from these exposures varies, depending on how often you do this type of work. To reduce your exposure to these chemicals: work in a well ventilated area, and work with approved safety equipment, such as those dust masks that are specially designed to filter out microscopic particles.

- **Avoid prolonged contact with dust from power sanding, sawing, grinding, drilling, and other construction activities. Wear protective clothing and wash exposed areas with soap and water.** Allowing dust to get into your mouth, eyes, or lay on the skin may promote absorption of harmful chemicals.

WARNING: Use of this tool can generate and/or disperse dust, which may cause serious and permanent respiratory or other injury. Always use NIOSH/OSHA approved respiratory protection appropriate for the dust exposure. Direct particles away from face and body.

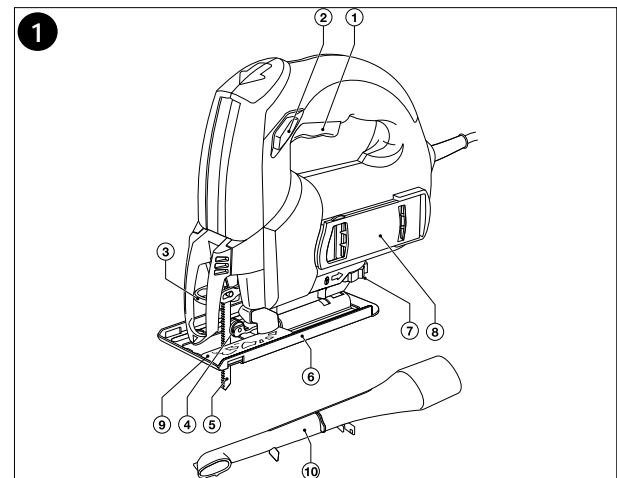
CAUTION: Wear appropriate hearing protection during use. Under some conditions and duration of use, noise from this product may contribute to hearing loss.

The label on your tool may include the following symbols.

- Vvolts
- Aamperes
- Hzhertz
- Wwatts
- minminutes
- ~alternating current
- ====direct current
- n₀no load speed
- ☐Class II Construction
- SPMstrokes per minute
- ⊕earthing terminal
- ⚠safety alert symbol

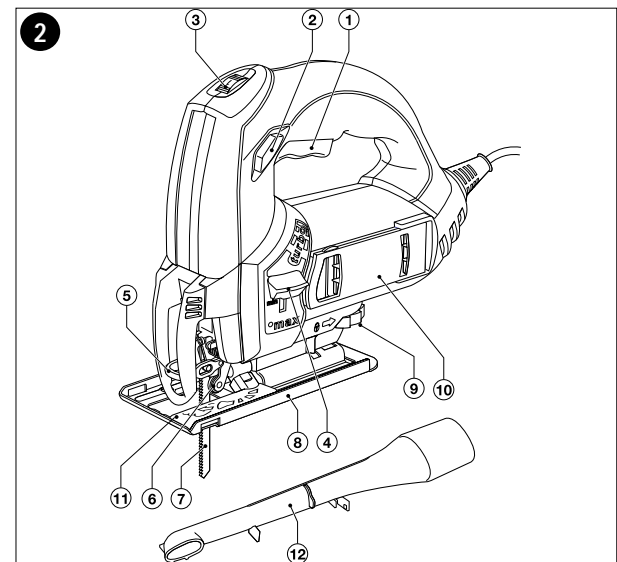
Features - JS500

1. Variable speed switch
2. Lock-on button
3. Saw blade locking lever
4. Saw blade support roller
5. Saw blade
6. Shoe plate
7. Shoe plate locking knob
8. Saw blade storage compartment
9. Dust blower
10. Dust extraction adaptor

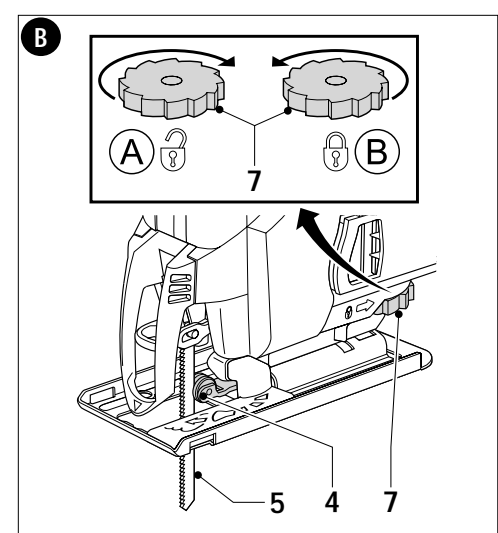
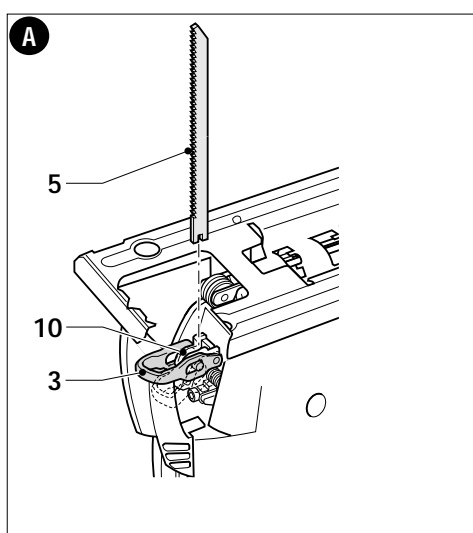


Features - JS600

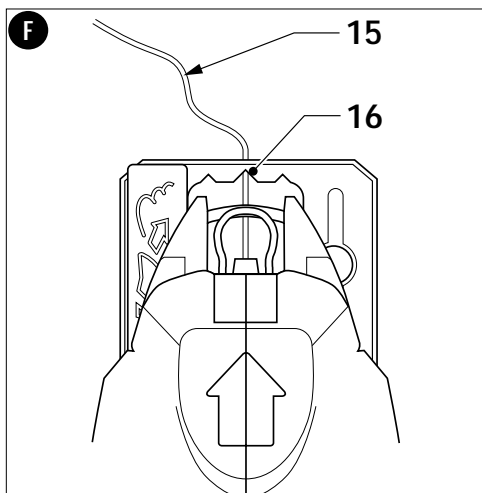
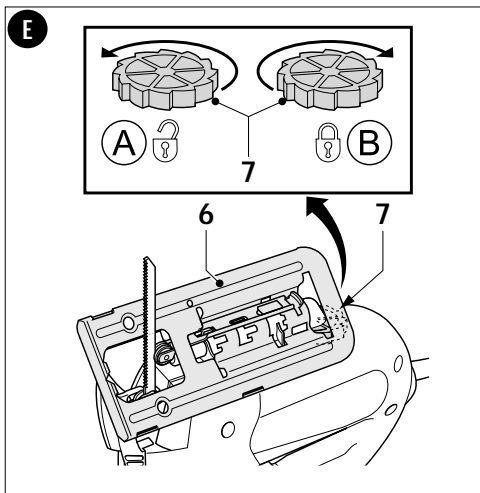
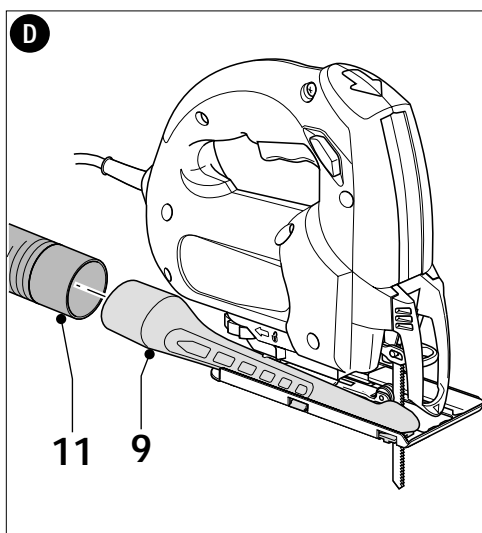
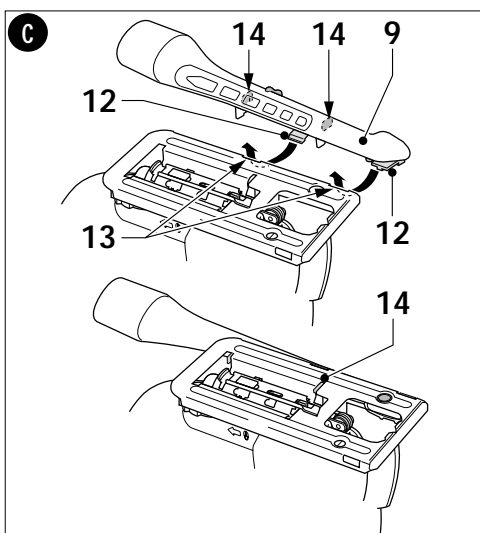
1. On/off switch
2. Lock-on button
3. Variable speed control knob
4. Orbital action "Turbo" selector
5. Saw blade locking lever
6. Saw blade support roller
7. Saw blade
8. Shoe plate
9. Shoe plate locking knob
10. Saw blade storage compartment
11. Dust blower
12. Dust extraction adaptor



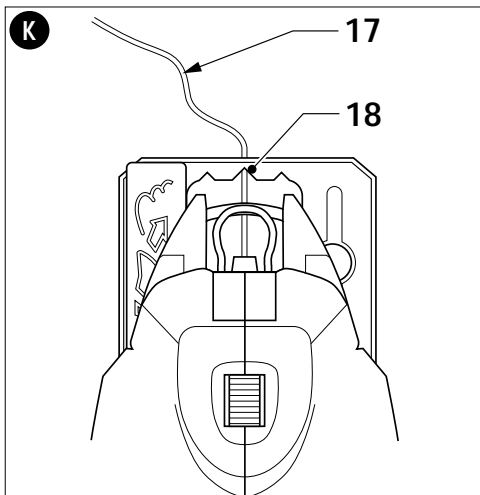
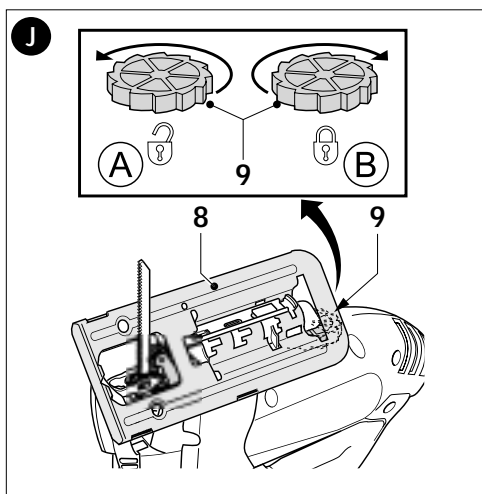
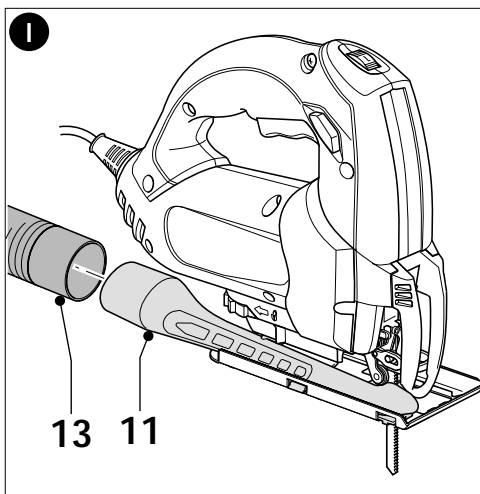
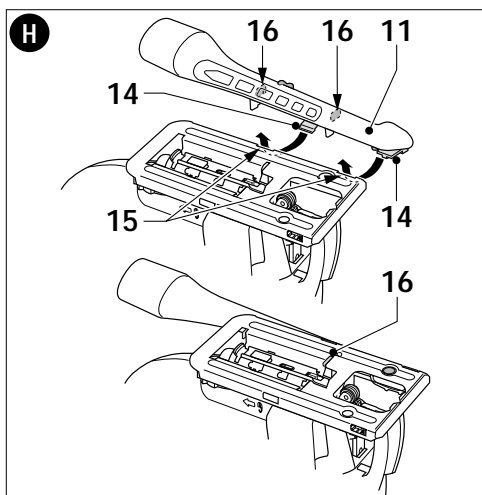
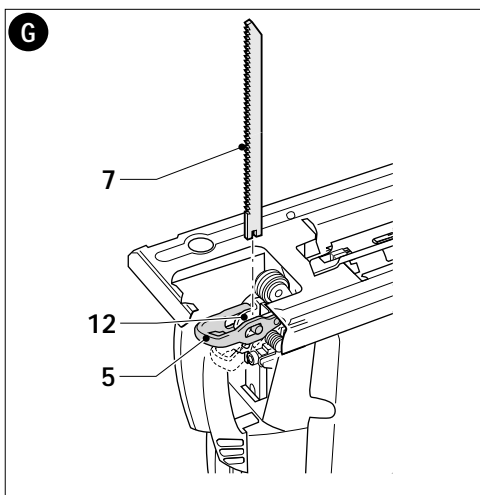
Illustrations A, B for Model JS500



Illustrations C, D, E, F for Model JS500 - Continued



Illustrations G, H, I, J, K for Model JS600



USE OF EXTENSION CORDS

Make sure the extension cord is in good condition before using. Always use the proper size extension cords with the tool – that is, proper wire size for various lengths of cord and heavy enough to carry the current the tool will draw. Use of an undersized cord will cause a drop in line voltage resulting in loss of power and overheating. For proper size cords see chart below.

Volts	Minimum Gauge for Cord Sets			
	Total Length of Cord in Feet			
120V	0-25	26-50	51-100	101-150
240V	0-50	51-100	101-200	201-300
Ampere Rating				
More Than	Not more Than	American Wire Gauge		
0	- 6	18	16	14
6	- 10	18	16	12
10	- 12	16	16	12
12	- 16	14	12	Not Recommended

MOTOR

Be sure your power supply agrees with nameplate marking. 120 Volts AC only means your tool will operate on standard 60 Hz household power. Do not operate AC tools on DC. A rating of 120 volts AC/DC means that you tool will operate on standard 60 Hz AC or DC power. This information is printed on the nameplate. Lower voltage will cause loss of power and can result in over-heating. All Black & Decker tools are factory-tested; if this tool does not operate, check the power supply.

SAVE THESE INSTRUCTIONS

ASSEMBLY - JS500 ONLY

WARNING: Before attempting any of the following operations, make sure that the tool is switched off and unplugged and that the saw blade has stopped. Used saw blades can be hot.

Fitting the saw blade (fig. A)

- Hold the saw blade (5) as shown, with teeth facing forward.
- Push the lever (3) downwards.
- Insert the shank of the saw blade into the blade holder (10) as far as it will go.
- Release the lever.
- Adjust the blade support roller as described below.

Adjusting the blade support roller (fig. B)

- After fitting the blade, you need to adjust the blade support roller (4).
- Turn the locking knob (7) in direction A.
- Slide the blade support roller against the rear of the blade. The blade must locate in the central recess of the roller.
- Turn the locking knob (7) in direction B to lock the shoe plate in place.

Connecting a vacuum cleaner to the tool (fig. C & D)

- Align the dust extraction adaptor (9) with the saw shoe as shown.
- Insert the ribs (12) into the slots (13).
- Rotate the adaptor until it locks into position. Make sure that the ribs (14) are correctly seated.
- Connect the vacuum cleaner hose (11) (not supplied) to the adaptor.
- Dust extraction is not possible when making bevel cuts.

USE

WARNING: Never use the tool when the saw shoe is loose or removed.

Adjusting the shoe plate for bevel cuts (fig. E)

- The shoe plate can be set to a left or right bevel angle of up to 45°.
- Turn the locking knob (7) in direction A to release the shoe plate (6).
- Pull the shoe plate (6) backwards and set it to the required angle. You can use the scale or a protractor to check the angle.
- Turn the locking knob (7) in direction B to lock the shoe plate in place.
- To reset the shoe plate for straight cuts:
- Turn the locking knob (7) in direction A to release the shoe plate (6).
- Pull the shoe plate backwards and set it to an angle of approximately 0°.
- Push the shoe plate forward.
- Turn the locking knob (7) in direction B to lock the shoe plate in place. Make sure that the shoe plate is supported by the guide ribs.

Switching On and Off

- To switch the tool on, press the variable speed switch (1). The tool speed depends on how far you depress the switch.
- For continuous operation, press the lock-on button (2) and release the variable speed switch. This option is available only at full speed.
- To switch the tool off, release the variable speed switch. To switch the tool off, when in continuous operation, press the variable speed switch once more and release it.

How to Use the Sightline® Feature (fig. F)

- Use a pencil to mark the cutting line.
- Position the jigsaw over the line (15).
- Viewing from directly above the jigsaw the line of cut can be easily followed. Should this view be restricted for any reason, the indent (16) can be used as an alternate cutting guide.

ASSEMBLY - JS600 ONLY

WARNING: Before attempting any of the following operations, make sure that the tool is switched off and unplugged and that the saw blade has stopped. Used saw blades can be hot.

Fitting the saw blade (fig. G)

- Hold the saw blade (7) as shown, with teeth facing forward.
- Push the lever (5) downwards.
- Insert the shank of the saw blade into the blade holder (12) as far as it will go.
- Release the lever.

Connecting a vacuum cleaner to the tool (fig. H & I)

- Align the dust extraction adaptor (11) with the saw shoe as shown.
- Insert the ribs (14) into the slots (15).
- Rotate the adaptor until it locks into position. Make sure that the ribs (16) are correctly seated.
- Connect the vacuum cleaner hose (13) (not supplied) to the adaptor.
- Dust extraction is not possible when making bevel cuts.

USE

WARNING: Never use the tool when the saw shoe is loose or removed.

Adjusting the shoe plate for bevel cuts (fig. J)

- The shoe plate can be set to a left or right bevel angle of up to 45°.
- Turn the locking knob (9) in direction A to release the shoe plate (8).
- Pull the shoe plate (8) backwards and set it to the required angle. You can use the scale or a protractor to check the angle.
- Turn the locking knob (9) in direction B to lock the shoe plate in place.
- To reset the shoe plate for straight cuts:
- Turn the locking knob (9) in direction A to release the shoe plate (8).
- Pull the shoe plate backwards and set it to an angle of approximately 0°.
- Push the shoe plate forward.
- Turn the locking knob (9) in direction B to lock the shoe plate in place. Make sure that the shoe plate is supported by the guide ribs.

Variable Speed Control

- Set the variable speed control knob (3) to the required speed range. Use a high speed for wood, medium speed for aluminum and PVC and low speed for metals other than aluminum.

Orbital Action Turbo Selector

- For fast and efficient straight cuts in wood, set the turbo orbital action selector (4) to "max".
- For accurate straight and curve cutting and a smooth surface finish, set the turbo selector (4) to "min".
- The turbo orbital action selector (4) can also be set to the middle position between "max" and "min" for a moderate speed of cut and finish.

Note: Orbital Action not recommended when scrolling.

Switching On and Off

- To switch the tool on, press the on/off switch (1).
- For continuous operation, press the lock-on button (2) and release the on/off switch.
- To switch the tool off, release the on/off switch. To switch the tool off, when in continuous operation, press the on/off switch once more and release it.

How to Use the Sightline® Feature (fig. K)

- Use a pencil to mark the cutting line.
- Position the jigsaw over the line (17).
- Viewing from directly above the jigsaw the line of cut can be easily followed. Should this view be restricted for any reason, the indent (18) can be used as an alternate cutting guide.

HINTS FOR OPTIMUM USE

General

- Use a high speed for wood, a medium speed for aluminum and PVC and a low speed for metals other than aluminum.

Sawing laminates

- As the saw blade cuts on the upward stroke, splintering may occur on the surface closest to the shoe plate.
- Use a fine-tooth saw blade.
- Saw from the back surface of the workpiece.
- To minimize splintering, clamp a piece of scrap wood or hardboard to both sides of the workpiece and saw through this sandwich.

Sawing metal

- Be aware that sawing metal takes much more time than sawing wood.
- Use a saw blade suitable for sawing metal.
- When cutting thin metal, clamp a piece of scrap wood to the back surface of the workpiece and cut through this sandwich.
- Spread a film of oil along the intended line of cut.

▲CAUTION: Do not use vacuum adapter when cutting metal. Metal filings will be hot and may cause a fire.

MAINTENANCE

Use only mild soap and damp cloth to clean the tool. Never let any liquid get inside the tool; never immerse any part of the tool into a liquid.

IMPORTANT: To assure product SAFETY and RELIABILITY, repairs, maintenance and adjustment should be performed by authorized service centers or other qualified service personnel, always using identical replacement parts.

ACCESSORIES

Recommended accessories for use with your tool are available from your local dealer or authorized service center. If you need assistance regarding accessories, please call:

1-800-544-6986.

▲WARNING: The use of any accessory not recommended for use with this tool could be hazardous.

SERVICE INFORMATION

Black & Decker offers a full network of company-owned and authorized service locations throughout North America. All Black & Decker Service Centers are staffed with trained personnel to provide customers with efficient and reliable power tool service. Whether you need technical advice, repair, or genuine factory replacement parts, contact the Black & Decker location nearest you. To find your local service location, refer to the yellow page directory under "Tools—Electric" or call: **1-800-544-6986.**

FULL TWO-YEAR HOME USE WARRANTY

Black & Decker (U.S.) Inc. warrants this product for two years against any defects in material or workmanship. The defective product will be replaced or repaired at no charge in either of two ways.

The first, which will result in exchanges only, is to return the product to the retailer from whom it was purchased (provided that the store is a participating retailer). Returns should be made within the time period of the retailer's policy for exchanges (usually 30 to 90 days after the sale). Proof of purchase may be required. Please check with the retailer for their specific return policy regarding returns that are beyond the time set for exchanges.

The second option is to take or send the product (prepaid) to a Black & Decker owned or authorized Service Center for repair or replacement at our option. Proof of purchase may be required. Black & Decker owned and authorized Service Centers are listed under "Tools—Electric" in the yellow pages of the phone directory.

This warranty does not apply to accessories. This warranty gives you specific legal rights and you may have other rights which vary from state to state. Should you have any questions, contact the manager of your nearest Black & Decker Service Center. This product is not intended for commercial use.

Black & Decker (U.S.) Inc.,
701 E. Joppa Rd.
Towson, MD 21286 U.S.A.



See 'Tools-Electric'
– Yellow Pages –
for Service & Sales



No de catalogue JS500 et JS600

SCIE SAUTEUSE À VITESSE VARIABLE

GUIDE D'UTILISATION

CONSERVER LE PRÉSENT GUIDE À TITRE DE RÉFÉRENCE

AVANT DE RETOURNER LE PRODUIT, PEU IMPORTE
LA RAISON PRIÈRE DE COMPOSER
1 800 544-6986

▲Règles de sécurité – Généralités

▲AVERTISSEMENT : Lire, comprendre et suivre toutes les directives précisées ci-dessous, y compris les consignes de sécurité, afin d'éviter les risques de choc électrique, d'incendie ou de blessure grave.

CONSERVER CES DIRECTIVES

ZONE DE TRAVAIL

- **S'assurer que la zone de travail est propre et bien éclairée.** Des établis encombrés et des endroits sombres présentent des risques d'accidents.
- **Ne pas utiliser des outils électriques en présence de vapeurs explosives (comme celles dégagées par des liquides, des gaz ou des poussières inflammables).** Les étincelles générées par le moteur des outils électriques peuvent enflammer les poussières ou les vapeurs.
- **Éloigner les curieux, les enfants et les visiteurs de la zone de travail lorsqu'on utilise un outil électrique.** Une distraction peut entraîner la perte de maîtrise de l'outil.

MESURES DE SÉCURITÉ RELATIVES À L'ÉLECTRICITÉ

- **Les outils à double isolation comportent une fiche polarisée (une lame plus large que l'autre). La fiche n'entre que d'une façon dans une prise polarisée. Lorsque la fiche n'entre pas à fond dans la prise, essayer de nouveau après avoir inversé les broches de la fiche. Si la fiche n'entre toujours pas dans la prise, communiquer avec un électricien certifié afin de faire installer une prise polarisée. Ne modifier en aucune façon la fiche.** La double isolation ☐ élimine le besoin d'un cordon trifilaire mis à la terre et d'un système d'alimentation mis à la terre.
- **Éviter de toucher à des surfaces mises à la terre comme des tuyaux, des radiateurs, des cuisinières et des réfrigérateurs.** Les risques de secousses électriques sont plus élevés si le corps de l'utilisateur est mis à la terre.
- **Protéger les outils électriques de la pluie ou des conditions mouillées.** Une infiltration d'eau dans l'outil augmente les risques de secousses électriques.
- **Manipuler le cordon avec soin. Ne jamais se servir du cordon afin de transporter l'outil ni tirer sur le cordon pour débrancher l'outil. Éloigner le cordon des sources de chaleur, des flaques d'huile, des arêtes tranchantes et des pièces mobiles. Remplacer immédiatement les cordons endommagés.** Les cordons endommagés augmentent les risques de secousses électriques.
- **Lorsqu'on utilise un outil électrique à l'extérieur, se servir d'un cordon de rallonge prévu pour l'extérieur, portant la mention "W-A" ou "W".** Ces cordons sont conçus pour servir à l'extérieur et minimisent les risques de secousses électriques.

SÉCURITÉ PERSONNELLE

- **Demeurer vigilant, prendre soin et faire preuve de jugement lorsqu'on utilise un outil électrique. Ne pas s'en servir lorsqu'on est fatigué ou affaibli par des drogues, de l'alcool ou des médicaments.** De graves blessures peuvent résulter d'un moment d'inattention lors de l'utilisation d'un outil électrique.
- **Porter des vêtements appropriés. Éviter de porter des vêtements amples ou des bijoux. Recouvrir la chevelure si elle est longue. Éloigner les cheveux, les vêtements et les gants des pièces en mouvement** qui peuvent les happer.
- **Éviter les démarrages accidentels. S'assurer que l'interrupteur est en position hors tension avant de brancher l'outil.** Afin d'éviter les risques de blessures, ne pas transporter l'outil avec le doigt sur l'interrupteur ni brancher un outil dont l'interrupteur est en position sous tension.
- **Enlever les clés de réglage avant de mettre l'outil sous tension.** Une clé qui est laissée sur une pièce rotative de l'outil présente des risques de blessures.
- **Ne pas dépasser sa portée. Garder son équilibre en tout temps.** On s'assure d'une meilleure maîtrise de l'outil dans des situations imprévues grâce à une position stable et un bon équilibre.
- **Porter de l'équipement de sécurité. Toujours porter des lunettes de sécurité.** Dans certaines conditions, il faut porter des masques respiratoires, des chaussures antidérapantes, un casque de sécurité ou des protège-tympan.

UTILISATION ET ENTRETIEN DE L'OUTIL

- **Utiliser des pinces de serrage ou de tout autre moyen pratique afin de fixer et de soutenir la pièce à ouvrir sur une plate-forme stable.** La pièce est instable lorsqu'elle est retenue par la main ou le corps de l'utilisateur. Cela présente des risques de perte de maîtrise de l'outil.
- **Ne pas forcer l'outil. Utiliser l'outil approprié à la tâche.** L'outil approprié fonctionne mieux et sûrement lorsqu'on s'en sert à son rendement nominal.
- **Ne pas se servir de l'outil lorsque l'interrupteur est défectueux.** Le cas échéant, l'outil est dangereux et il faut le réparer.
- **Débrancher l'outil de la source d'alimentation avant de le régler, d'en remplacer les**

accessoires ou de le ranger. On minimise de la sorte le risque de démarrage accidentel de l'outil.

- **Ranger l'outil hors de portée des enfants et de toute autre personne qui n'en connaît pas le fonctionnement.** L'outil est dangereux entre les mains de ces personnes.
- **Prendre soin des outils. S'assurer que les outils de coupe sont tranchants et propres.** Des outils bien entretenus à arêtes tranchantes ont moins tendance à se coincer et ils se maîtrisent mieux.
- **Vérifier l'alignement et les attaches des pièces mobiles, le degré d'usure des pièces ainsi que tout autre facteur susceptible de nuire au bon fonctionnement de l'outil. Faire réparer un outil endommagé avant de s'en servir.** Des outils mal entretenus sont la cause de nombreux accidents.
- **Utiliser seulement les accessoires recommandés par le fabricant.** Des accessoires qui conviennent à un outil peuvent présenter des risques avec un autre outil.

ENTRETIEN

- **Confier l'entretien de l'outil seulement à du personnel qualifié.** Le non-respect de la présente directive présente des risques de blessures.
- **Lors de l'entretien de l'outil, utiliser seulement des pièces de rechange identiques. Respecter les consignes relatives à l'entretien du présent guide d'utilisation.** Il y a un risque de secousses électriques ou de blessures lorsqu'on utilise des pièces non autorisées ou lorsqu'on ne respecte pas les consignes relatives à l'entretien.

Consignes de sécurité particulières

- **Tenir l'outil par les surfaces isolées prévues à cette fin lorsqu'il risque d'entrer en contact avec des fils cachés ou son propre cordon,** car de tels contacts peuvent mettre les pièces métalliques de l'outil sous tension, engendrant des risques de choc électrique.
- **Garder les mains éloignées** des zones de coupe. Ne pas mettre les mains sous la pièce pour quelque raison que ce soit. Saisir la section profilée à l'avant de l'outil. Ne pas mettre les doigts ou le pouce près de la lame à va-et-vient ni de sa bride de serrage. Ne pas stabiliser la scie en saisissant le patin.
- **Maintenir les lames bien aiguisées en tout temps;** les lames usées peuvent faire dévier la scie ou faire caler le moteur lorsqu'on exerce une pression sur l'outil.
- **Lorsqu'on coupe des tuyaux ou des conduits,** on doit s'assurer qu'ils ne renferment pas d'eau ni de fil électrique, etc.

▲AVERTISSEMENT : Certains outils électriques, tels que les sableuses, les scies, les meules, les perceuses ou certains autres outils de construction, peuvent produire de la poussière contenant des produits chimiques susceptibles d'entraîner le cancer, des malformations congénitales ou pouvant être nocifs pour le système reproductif. Parmi ces produits chimiques, on retrouve :

- le plomb dans les peintures à base de plomb,
- la silice cristalline dans les briques et le ciment et autres produits de maçonnerie,
- l'arsenic et le chrome dans le bois de sciage ayant subi un traitement chimique (comme l'arséniate de cuivre et de chrome).

Le risque associé à de telles expositions varie selon la fréquence avec laquelle on effectue ces travaux. Pour réduire l'exposition à de tels produits, il faut travailler dans un endroit bien aéré et utiliser le matériel de sécurité approprié, tel un masque anti-poussières spécialement conçu pour filtrer les particules microscopiques.

- **Éviter tout contact prolongé avec la poussière soulevée par cet outil ou autres outils électriques. Porter des vêtements de protection et nettoyer les parties exposées du corps avec de l'eau savonneuse.** S'assurer de bien se protéger afin d'éviter d'absorber par la bouche, les yeux ou la peau des produits chimiques nocifs.

▲AVERTISSEMENT : Cet outil peut produire et répandre de la poussière susceptible de causer des dommages sérieux et permanents au système respiratoire. Toujours utiliser un appareil respiratoire anti-poussières approuvé par le NIOSH ou l'OSHA. Diriger les particules dans le sens opposé du visage et du corps.

▲AVERTISSEMENT : Porter un dispositif de protection personnel anti-bruit approprié durant l'utilisation. Sous certaines conditions et pendant toute la durée de l'utilisation, le bruit émanant de ce produit pourrait contribuer à la perte d'audition.

L'étiquette de l'outil peut comporter les symboles suivants.

V	volts	A.....	ampères
Hz	hertz	W	watts
min.....	minutes	~	courant alternatif
====	courant continu	no	sous vide
☐	construction de classe II	⊕	borne de terre
⚠	symbole d'avertissement	.../min	tours ou courses à la minute

Composants du modèle JS500

1. Interrupteur à vitesse variable
2. Bouton de verrouillage en position de marche
3. Levier de verrouillage de la lame de scie
4. Galet de support de la lame de scie
5. Lame de scie
6. Plaque du patin
7. Bouton de verrouillage de la plaque du patin
8. Compartiment de rangement de la lame
9. Chasse-sciure
10. Adaptateur du tube d'aspiration

Composants du modèle JS600

1. Interrupteur de marche-arrêt
2. Bouton de verrouillage en position de marche
3. Bouton de réglage de la vitesse variable
4. Sélecteur turbo de mouvement orbital
5. Levier de verrouillage de la lame de scie
6. Galet de support de la lame de scie
7. Lame de scie
8. Plaque du patin
9. Bouton de verrouillage de la plaque du patin
10. Compartiment de rangement de la lame
11. Chasse-sciure
12. Adaptateur du tube d'aspiration

RALLONGES

S'assurer que la rallonge est en bon état avant de l'utiliser. Toujours utiliser une rallonge qui convient à l'outil, c'est-à-dire dont le calibre des fils, la longueur du cordon et les valeurs nominales correspondent à l'outil alimenté. L'usage d'une rallonge de calibre insuffisant pourrait causer une chute de tension entraînant une perte de puissance et une surchauffe. Pour s'assurer qu'on utilise le calibre approprié, consulter le tableau indiqué ci-dessous.

Tension	Calibre minimal des cordons de rallonge			
	Longueur totale du cordon en pieds			
120 V	De 0 à 25	De 26 à 50	De 51 à 100	De 101 à 150
240 V	De 0 à 50	De 51 à 100	De 101 à 200	De 201 à 300
Intensité (A)		Calibre moyen de fil (AWG)		
Au moins	Au plus			
0	- 6	18	16	14
6	- 10	18	16	12
10	- 12	16	16	12
12	- 16	14	12	Non recommandé

MOTEUR

S'assurer que l'intensité nominale du cordon d'alimentation corresponde à celle indiquée sur la plaque signalétique; sur cette dernière, la mention «120 V c.a.» signifie que l'outil ne doit être branché que dans une prise résidentielle standard de courant alternatif de 60 Hz et non pas dans une prise de courant continu, alors que «120 V c.a. / c.c.» signifie que l'outil peut fonctionner sur une prise standard de 60 Hz de courant alternatif ou continu. Une tension inférieure à celle indiquée pourrait entraîner une perte de puissance et une surchauffe. Tous les outils Black & Decker sont soumis à des essais en usine; si cet outil ne fonctionne pas, on doit d'abord vérifier l'intensité nominale du cordon d'alimentation.

CONSERVER CES DIRECTIVES

ASSEMBLAGE – MODÈLE JS500 SEULEMENT

⚠AVERTISSEMENT : Avant d'effectuer une des opérations suivantes, s'assurer que l'outil est mis hors tension et débranché et que la lame est complètement immobilisée. Les lames usées peuvent être chaudes.

INSTALLATION DE LA LAME (FIG. A)

- Tenir la lame (5) tel qu'illustré, en s'assurant que les dents sont dirigées vers l'avant.
- Pousser le levier (3) vers le bas.
- Insérer la tige de la lame de scie dans le porte-lame (10), aussi loin que possible.
- Relâcher le levier.
- Régler le galet de support de la lame (voir l'article ci-dessous).

RÉGLAGE DU GALET DE SUPPORT DE LA LAME (FIG. B)

Une fois la lame installée, on doit régler le galet de support de la lame (4).

- Tourner le bouton de verrouillage (7) vers la direction **A**.
- Glisser le galet de support de la lame contre la partie arrière de la lame, de manière à ce que celle-ci repose dans la section creuse au centre du galet.
- Tourner le bouton de verrouillage (7) vers la direction **B** afin de verrouiller solidement la plaque du patin.

INSTALLATION D'UN ASPIRATEUR SUR L'OUTIL (FIG. C ET D)

- Aligner l'adaptateur du tube d'aspiration (9) avec le patin de la scie, tel qu'illustré.
- Introduire les nervures (12) dans les fentes (13).
- Tourner l'adaptateur jusqu'à ce qu'il soit bien enclenché, en s'assurant que les nervures (14) sont bien en place.
- Raccorder le tube d'aspiration (11) (non fourni) à l'adaptateur.

Le système de dépoussiérage ne fonctionne pas lorsqu'on effectue des coupes en biseau.

UTILISATION

⚠AVERTISSEMENT : Ne jamais utiliser l'outil lorsque le patin est lâche ou retiré.

RÉGLAGE DE LA PLAQUE DU PATIN EN VUE DE RÉALISER UNE COUPE EN BISEAU (FIG. E)

La plaque du patin peut être réglée pour une coupe en biseau à gauche ou à droite allant jusqu'à 45°.

- Tourner le bouton de verrouillage (7) vers la direction **A** afin de relâcher la plaque du patin (6).
- Tirer la plaque du patin (6) vers l'arrière et la régler à l'angle voulu. Vérifier l'angle au moyen de l'échelle ou d'un rapporteur d'angle.
- Tourner le bouton de verrouillage (7) vers la direction **B** afin de verrouiller solidement la plaque du patin.

Pour remettre la plaque du patin dans sa position initiale en vue de réaliser une coupe droite :

- Tourner le bouton de verrouillage (7) vers la direction **A** afin de relâcher la plaque du patin (6).
- Tirer la plaque du patin vers l'arrière et la régler à un angle d'environ 0°.
- Pousser la plaque du patin vers l'avant.
- Tourner le bouton de verrouillage (7) vers la direction **B** afin de verrouiller solidement la plaque du patin, en s'assurant qu'elle est bien soutenue par les nervures de guidage.

MISE EN MARCHÉ ET ARRÊT DE L'OUTIL

- Pour mettre l'outil en marche, enfoncer l'interrupteur de marche-arrêt (1). La vitesse varie selon la pression qu'on exerce sur l'interrupteur.
- Pour un fonctionnement continu, enfoncer le bouton de verrouillage en position de marche (2) et relâcher l'interrupteur à vitesse variable. Cette option n'est possible qu'en vitesse maximale.
- Pour arrêter l'outil, relâcher l'interrupteur à vitesse variable. Pour arrêter l'outil en mode de fonctionnement continu, appuyer de nouveau sur l'interrupteur à vitesse variable, puis le relâcher.

UTILISATION DU DISPOSITIF SIGHTLINE® (FIG. F)

- Marquer la ligne de coupe au moyen d'un crayon.
- Positionner la scie sur la ligne de coupe (15).
- Vue directement du haut de la scie, la ligne de coupe est facile à suivre. Si celle-ci n'est pas bien visible, pour quelque raison que ce soit, on peut utiliser l'encoche (16) comme guide de coupe, le cas échéant.

ASSEMBLAGE – MODÈLE JS600 SEULEMENT

⚠AVERTISSEMENT : Avant d'effectuer une des opérations suivantes, s'assurer que l'outil est mis hors tension et débranché et que la lame est complètement immobilisée.

INSTALLATION DE LA LAME (FIG. G)

- Tenir la lame (7) tel qu'illustré, en s'assurant que les dents sont dirigées vers l'avant.
- Pousser le levier (5) vers le bas.
- Insérer la tige de la lame de scie dans le porte-lame (12), aussi loin que possible.
- Relâcher le levier.

INSTALLATION D'UN ASPIRATEUR SUR L'OUTIL (FIG. H ET I)

- Aligner l'adaptateur du tube d'aspiration (11) avec le patin de la scie, tel qu'illustré.
- Introduire les nervures (14) dans les fentes (15).
- Tourner l'adaptateur jusqu'à ce qu'il soit bien enclenché, en s'assurant que les nervures (16) sont bien en place.
- Raccorder le tube d'aspiration (13) (non fourni) à l'adaptateur.

Le système de dépoussiérage ne fonctionne pas lorsqu'on effectue des coupes en biseau.

UTILISATION

⚠AVERTISSEMENT : Ne jamais utiliser l'outil lorsque le patin est lâche ou retiré.

RÉGLAGE DE LA PLAQUE DU PATIN EN VUE DE RÉALISER UNE COUPE EN BISEAU (FIG. J)

La plaque du patin peut être réglée pour une coupe en biseau à gauche ou à droite allant jusqu'à 45°.

- Tourner le bouton de verrouillage (9) vers la direction **A** afin de relâcher la plaque du patin (8).
- Tirer la plaque du patin (8) vers l'arrière et la régler à l'angle voulu. Vérifier l'angle au moyen de l'échelle ou d'un rapporteur d'angle.
- Tourner le bouton de verrouillage (9) vers la direction **B** afin de verrouiller solidement la plaque du patin.

Pour remettre la plaque du patin dans sa position initiale en vue de réaliser une coupe droite :

- Tourner le bouton de verrouillage (9) vers la direction **A** afin de relâcher la plaque du patin (8).
- Tirer la plaque du patin vers l'arrière et la régler à un angle d'environ 0°.
- Pousser la plaque du patin vers l'avant.

↳Tourner le bouton de verrouillage (9) vers la direction **B** afin de verrouiller solidement la plaque du patin, en s'assurant que la plaque est bien soutenue par les nervures de guidage.

BOUON DE RÉGLAGE DE LA VITESSE VARIABLE

Régler le bouton de réglage de la vitesse variable (3) à la plage de vitesse requise. Utiliser la vitesse élevée pour le bois, la vitesse moyenne pour l'aluminium et le PVC et la basse vitesse pour les métaux, sauf l'aluminium.

SÉLECTEUR TURBO DE MOUVEMENT ORBITAL

- Pour effectuer rapidement et efficacement une coupe droite dans du bois, régler le sélecteur (4) à la position maximale.
- Pour assurer la précision d'une coupe droite ou courbée et obtenir un fini lisse, régler le sélecteur (4) à la position minimale.
- On peut aussi régler le sélecteur (4) à la position centrale (entre les positions maximale et minimale) pour obtenir une vitesse de coupe et de finition modérée.

Remarque : le mouvement orbital n'est pas recommandé lorsqu'on effectue une coupe courbée.

MISE EN MARCHÉ ET ARRÊT DE L'OUTIL

- Pour mettre l'outil en marche, enfoncer l'interrupteur de marche-arrêt (1).
- Pour un fonctionnement continu, enfoncer le bouton de verrouillage en position de marche (2) et relâcher l'interrupteur de marche-arrêt.
- Pour arrêter l'outil, relâcher l'interrupteur de marche-arrêt. Pour arrêter l'outil en mode de fonctionnement continu, appuyer de nouveau sur l'interrupteur de marche-arrêt, puis le relâcher.

UTILISATION DU DISPOSITIF SIGHTLINE® (FIG. K)

- Marquer la ligne de coupe au moyen d'un crayon.
- Positionner la scie sur la ligne de coupe (17).
- Vue directement du haut de la scie, la ligne de coupe est facile à suivre. Si celle-ci n'est pas bien visible, pour quelque raison que ce soit, on peut utiliser l'encoche (18) comme guide de coupe, le cas échéant.

CONSEILS PRATIQUES POUR UN USAGE OPTIMAL

GÉNÉRALITÉS

- Utiliser la vitesse élevée pour le bois, la vitesse moyenne pour l'aluminium et le PVC et la

basse vitesse pour les métaux, sauf l'aluminium.

COUPE DE LAMELLÉS

Lorsqu'on remonte la scie, on peut engendrer des éclats de bois sur la surface la plus près de la plaque du patin.

- Utiliser une lame à dents fines.
- Effectuer la coupe à partir de la surface arrière de la pièce.
- Afin de réduire au minimum les éclats de bois, fixer une retaille de bois ou un panneau dur de chaque côté de la pièce et couper à travers les trois pièces.

COUPE DU MÉTAL

- Il ne faut pas oublier que la durée de coupe du métal est beaucoup plus longue que celle du bois.
- Utiliser une lame conçue pour la coupe du métal.
- Pour réaliser la coupe d'une tôle mince, fixer une retaille de bois à l'arrière de la pièce et couper à travers les deux pièces.

↳Appliquer une mince couche d'huile le long de la ligne de coupe prévue.

⚠MISE EN GARDE : **Ne pas utiliser l'adaptateur du tube d'aspiration pour couper le métal**; les débris métalliques sont chauds et peuvent causer un incendie.

ENTRETIEN

Nettoyer l'outil au moyen d'un savon doux et d'un linge humide seulement. Ne jamais laisser de liquide s'infiltrer à l'intérieur de l'outil ni tremper ce dernier dans un liquide quelconque.

IMPORTANT : pour assurer la **SÉCURITÉ** et la **FIABILITÉ** de ce produit, toutes les opérations de réparation, d'entretien et de réglage doivent être effectuées dans un centre de service autorisé ou par du personnel qualifié; on ne doit utiliser que des pièces de rechange identiques.

ACCESSOIRES

Les accessoires recommandés pour l'outil sont vendus chez les dépositaires locaux ou dans les centres de service autorisés. Pour obtenir de l'aide concernant un accessoire, composer le 1 800 544-6986.

⚠AVERTISSEMENT : l'usage d'un accessoire non recommandé peut présenter un danger.

INFORMATION SUR LES SERVICES

Black & Decker dispose d'un réseau complet composé de centres de service et de centres autorisés situés partout en Amérique du Nord. Tous les centres de service Black & Decker sont dotés de personnel qualifié en matière d'outillage électrique; ils sont donc en mesure d'offrir à leur clientèle un service efficace et fiable. Pour obtenir un conseil technique ou une pièce d'origine ou pour faire réparer un outil, on peut communiquer avec le centre Black & Decker le plus près. Pour obtenir le numéro de téléphone, consulter les pages jaunes sous la rubrique «Outils - électriques» ou composer le 1 800 544-6986.

GARANTIE COMPLÈTE DE DEUX ANS POUR USAGE RÉSIDENTIEL

Black & Decker (U.S.) Inc. garantit ce produit pour une période de deux ans contre tout défaut de matériel ou de fabrication. Le produit défectueux sera remplacé ou réparé sans frais, suivant l'une des deux méthodes suivantes.

La première méthode consiste en un échange seulement. On doit retourner le produit au détaillant qui l'a vendu (pourvu qu'il s'agisse d'un détaillant participant), en respectant les délais stipulés dans sa politique relative aux échanges (normalement de 30 à 90 jours après la vente). Une preuve d'achat peut être requise. On doit vérifier la politique de retour du détaillant pour tout produit retourné après le délai prescrit pour les échanges.

La deuxième méthode consiste à apporter ou à envoyer le produit (prépayé) à un centre Black & Decker ou à un centre de service autorisé aux fins de réparation ou de remplacement, selon notre choix. Une preuve d'achat peut être requise. Les centres Black & Decker et les centres de service autorisés sont répertoriés dans les pages jaunes sous la rubrique «Outils - électriques».

Cette garantie ne s'applique pas aux accessoires. Elle confère des droits légaux particuliers à l'acheteur, mais celui-ci pourrait aussi bénéficier d'autres droits variant d'un territoire à l'autre. Toute question doit être adressée au gérant du centre Black & Decker le plus près. Ce produit n'est pas destiné à un usage commercial.

Imported by / Importé par
Black & Decker Canada Inc.
100 Central Ave.
Brockville (Ontario) K6V 5W6

Voir la rubrique "Outils électriques"
des Pages Jaunes
pour le service et les ventes.



No. de Cat. JS500, JS600

MANUAL DE INSTRUCCIONES

ANTES DE DEVOLVER ESTE PRODUCTO POR CUALQUIER RAZON POR FAVOR LLAME (Únicamente para propósitos de México) (55)5326-7100

GUARDE ESTE MANUAL PARA REFERENCIA FUTURA.

SIERRA CALADORA DE VELOCIDAD VARIABLE

⚠REGLAS GENERALES DE SEGURIDAD

⚠ADVERTENCIA: Lea y comprenda todas las instrucciones. No seguir todas las instrucciones enlistadas a continuación puede resultar en choque eléctrico, incendio y(o) lesiones personales de gravedad.

CONSERVE ESTAS INSTRUCCIONES

AREA DE TRABAJO

- **Conserve su área de trabajo limpia y bien iluminada.** Las bancas amontonadas y las zonas oscuras propician los accidentes.
- **No opere herramientas eléctricas en atmósferas explosivas, como en presencia de líquidos, gases o polvos inflamables.** Las herramientas eléctricas producen chispas que pueden originar la ignición de los polvos o los vapores.
- **Conserve a observadores, niños y visitantes alejados mientras opera una herramienta eléctrica.** Las distracciones pueden ocasionar que pierda el control.

SEGURIDAD ELECTRICA

- **Las herramientas con doble aislamiento están equipadas con una clavija polarizada (con una pata más ancha que la otra.) Esta clavija se acoplará únicamente en una toma de corriente polarizada de una manera. Si la clavija no se acopla al contacto, invírtala. Si aún así no se ajusta, comuníquese con un electricista calificado para que le instalen una toma de corriente polarizada apropiada.** El doble aislamiento elimina la necesidad de cables con tres hilos y sistemas de alimentación con conexión a tierra.
- **Evite el contacto corporal con superficies aterrizadas tales como tuberías, radiadores, hornos y refrigeradores.** Hay un gran riesgo de choque eléctrico si su cuerpo hace tierra.
- **No exponga las herramientas eléctricas a la lluvia o a condiciones de mucha humedad.** El agua que se introduce en las herramientas aumenta el riesgo de descargas eléctricas.
- **No maltrate el cable. Nunca tome el cable para transportar una herramienta ni para desconectarla de la toma de corriente. Consérvelo alejado de calor aceite, bordes afilados o piezas móviles. Cambie inmediatamente los cables dañados.** Los cables dañados aumentan el riesgo de choque eléctrico.
- **Cuando opere una herramienta eléctrica a la intemperie, utilice una extensión marcada "W-A" o "W".** Estas extensiones están clasificadas para uso a la intemperie y para reducir el riesgo de choques eléctricos.

SEGURIDAD PERSONAL

- **Esté alerta, concéntrese en lo que está haciendo. Recurra al sentido común cuando opere una herramienta eléctrica. No opere ninguna herramienta si se encuentra fatigado o bajo la influencia de drogas, alcohol o medicamentos.** Un momento de desatención mientras se operan herramientas eléctricas puede ocasionar lesiones graves.
- **Vístase de manera adecuada. No tenga puestas ropas o artículos de joyería flojos. Cubra su cabello si lo tiene largo. Conserve su cabello, sus ropas y guantes alejados de las piezas móviles.** Las piezas de vestir flojas, las joyas y el cabello largo pueden resultar atrapados por las piezas móviles.
- **Evite el encendido accidental. Asegúrese que el interruptor esté en posición de apagado antes de conectar.** Sostener una herramienta con el dedo en el interruptor o conectarla sin fijarse si el interruptor está en posición de encendido propicia los accidentes.
- **Retire las llaves de ajuste antes de encender la herramienta.** Una llave que se deja en una pieza giratoria puede ocasionar lesiones personales.
- **No se sobreextienda. Conserve siempre los pies bien apoyados, al igual que el**

equilibrio. La posición correcta de los pies y el equilibrio permiten controlar mejor la herramienta en situaciones inesperadas.

- Utilice equipo de seguridad. Siempre utilice protección en los ojos.** Se deben utilizar mascarillas contra polvo, zapatos antiderrapantes, casco o protectores para los oídos para tener las condiciones apropiadas.

USO Y CUIDADOS DE LA HERRAMIENTA

- Utilice prensas u otros medios prácticos para asegurar y apoyar la pieza de trabajo en una plataforma estable.** Sujetar las piezas con la mano o contra su cuerpo es inestable y puede originar la pérdida de control.
- No fuerce la herramienta. utilice la herramienta apropiada para su aplicación.** La herramienta apropiada hará el trabajo mejor y de manera más segura bajo las especificaciones para las que se diseñó.
- No utilice la herramienta si el interruptor no enciende y apaga.** Cualquier herramienta que no pueda controlarse por medio del interruptores peligrosa y debe reemplazarse.
- Desconecte la clavija de la toma de corriente antes de hacer cualquier ajuste, cambio de accesorios o de guardar la herramienta.** Tales medidas de seguridad preventivas reducirán el riesgo de que la herramienta se encienda accidentalmente.
- Guarde las herramientas fuera del alcance de los niños y de otras personas no capacitadas.** Las herramientas son peligrosas en manos de personas no capacitadas.
- Cuide sus herramientas. Conserve las herramientas de corte afiladas y limpias.** Las herramientas que reciben un mantenimiento adecuado, con piezas de corte afiladas, difícilmente se atascan y son más fáciles de controlar.
- Verifique la alineación de las piezas móviles, busque fracturas en las piezas y cualesquiera otras condiciones que puedan afectar la operación de las herramientas. Si está dañada, lleve su herramienta a servicio antes de usarla de nuevo.** Muchos accidentes se deben a herramientas con mantenimiento pobre.
- Solamente use accesorios que el fabricante recomiende para su modelo de herramienta.** Los accesorios que estén diseñados para una herramienta, pueden volverse peligrosos cuando se emplean con otra.

SERVICIO

- El servicio a las herramientas lo debe efectuar únicamente personal calificado.** El servicio o mantenimiento realizado por personal no calificado puede originar riesgos de lesiones.
- Cuando efectúe servicio a una herramienta, utilice únicamente refacciones idénticas. Siga las instrucciones de la sección de Mantenimiento de este manual.** El empleo de piezas no autorizadas o no seguir las instrucciones de mantenimiento puede originar riegos de choque eléctrico o lesiones.

Reglas de Seguridad Específicas

- Cuando realice una operación en la cual la herramienta pueda hacer contacto con cables escondidos, sujétela por las partes con aislamiento antideslizante.** El contacto con un cable con corriente hará que las partes metálicas de la herramienta puedan transmitir una descarga eléctrica al operario.
- Mantenga sus manos fuera del área de corte.** Nunca se incline por debajo del material por ningún motivo. Sujete la parte frontal de la sierra asíéndola por el área contorneada de agarre. No inserte los dedos o el pulgar cerca de la hoja de vaivén o el sujetador de la hoja. No establezca la sierra asíéndola por la platina.
- Mantenga las hojas afiladas.** Las hojas sin filo pueden hacer que la sierra se desvíe o se atasque al estar bajo presión.
- Al cortar un tubo o conducto portacables,** asegúrese de que estos no contienen agua o cables, etc.

▲AVERTISSEMENT : El polvo creado al lijar, aserrar, pulir, taladrar o realizar otras actividades de la construcción, contiene sustancias químicas que se sabe producen cáncer, defectos de nacimiento u otros defectos del sistema reproductor. Algunos ejemplos de esos productos químicos son:

- El plomo de las pinturas a base de plomo,
- La sílice cristalina de los ladrillos, del cemento y de otros productos de albañilería, y
- El arsénico y el cromo de la madera tratada químicamente (CCA).

El riesgo que se corre a causa del contacto con esos productos varía según la frecuencia con que usted realice este tipo de trabajos. Con el fin de reducir su exposición a esas sustancias químicas, trabaje en un área bien ventilada y utilice un equipo de seguridad reglamentario, tal como una máscara contra el polvo especialmente diseñada para filtrar partículas microscópicas.

- Evite el contacto prolongado con el polvo proveniente del lijado, aserrado, amolado y taladrado eléctrico y otras actividades de construcción. Use vestimenta protectora y lave todas las áreas expuestas con agua y jabón.** De entrar polvo en sus ojos, boca, o que este permanezca sobre su piel puede promover la absorción de químicos dañinos.

▲AVERTISSEMENT :El uso de esta herramienta puede generar y/o dispersar el polvo, el cual puede ocasionar lesión respiratoria u otro tipo de lesión grave y permanente. Utilice siempre protección respiratoria NIOSH/OSHA apropiada para la exposición al polvo. Dirija las partículas lejos de su cara o su cuerpo.

▲ATENCIÓN: Use protección auditiva apropiada cuando usa la herramienta. Bajo ciertas condiciones y el tiempo que se usa la herramienta, el ruido proveniente de este producto podría contribuir a pérdida auditiva.

La etiqueta de su herramienta puede incluir los siguientes símbolos.

<i>V</i>	<i>A</i>
<i>Hz</i>	<i>W</i>
<i>min</i>	<i>~</i>
<i>----</i>	<i>n</i> o.....
☐	⊕
⚠
	<i>conexión a tierra</i>
	<i>revoluciones o</i>
	<i>reciprocaciones por</i>
	<i>minuto</i>

Características - JS500

- Interruptor de velocidad variable
- Botón de funcionamiento continuo
- Palanca de bloqueo de la hoja de sierra
- Rodillo de apoyo de la hoja
- Hoja de sierra
- Platina
- Perilla de bloqueo de la platina
- Compartimento de almacenaje de las hojas de sierra
- Soplador de polvo
- Adaptador para la extracción de polvo

Características - JS600

- Interruptor de velocidad variable
- Botón de funcionamiento continuo
- Perilla de control de velocidad variable
- Selector de acción orbital "Turbo"
- Palanca de bloqueo de la hoja de sierra
- Rodillo de apoyo de la hoja de sierra
- Hoja de sierra
- Platina
- Perilla de bloqueo de la platina
- Compartimento de almacenaje de las hojas de sierra
- Soplador de polvo
- Adaptador para la extracción de polvo

USO DE CABLES DE EXTENSIÓN

Asegúrese que el cable de extensión esté en buenas condiciones antes de usar. Al utilizar un cable de extensión, asegúrese de que sea del tamaño correspondiente a la herramienta, o sea, lo suficientemente “pesado” como para transportar la corriente que la herramienta va a extraer. Un cable de tamaño insuficiente causará una caída en la línea de voltaje resultando en pérdida de energía y recalentamiento. Vea la tabla siguiente para el tamaño apropiado de cable.

Calibre mínimo para juegos de cables					
Voltios		Largo total del cable en pies			
120V	0-25	26-50	51-100	101-150	
240V	0-50	51-100	101-200	201-300	
Amperaje Nominal					
Más de	No más de		American Wire Gage		
0 -	6	18	16	16	14
6 -	10	18	16	14	12
10 -	12	16	16	14	12
12 -	16	14	12	No recomendado	

MOTOR

Verifique que su suministro de corriente concuerde con el marcaje de la placa de datos. 120 Voltios de corriente alterna (AC) solo indica que su herramienta operará con corriente casera estándar de 60 Hz. No opere herramientas de corriente alterna (AC) con corriente directa (DC). Una potencia de régimen de 120 voltios AC/DC significa que su herramienta operará con corriente estándar de 60 Hz AC o DC. Esta información está impresa en la placa de datos. Un voltaje menor ocasionará pérdida de corriente y puede resultar en recalentamiento. Todas las herramientas Black & Decker se prueban en fábrica; si esta herramienta no funciona, verifique el suministro de corriente.

GUARDE ESTAS INSTRUCCIONES

MONTAJE - JS500 ÚNICAMENTE

▲ADVERTENCIA: Antes de intentar algunas de las siguientes operaciones, asegúrese que la herramienta está apagada y desconectada y que la hoja de sierra ya no se mueve. Las hojas ya usadas pueden estar calientes.

COLOCACIÓN DE LA HOJA DE SIERRA (FIG. A)

- Sujete la hoja (5) según se ilustra, con los dientes hacia adelante.
- Empuje la palanca (3) hacia abajo.
- Inserte la espiga de la hoja en el portahoja (10) lo más adentro que pueda.
- Suelte la palanca.
- Ajuste el rodillo de apoyo de la hoja según se describe a continuación.

AJUSTE DEL RODILLO DE APOYO DE LA HOJA (FIG. B)

Después de poner la hoja, es necesario ajustar el rodillo de apoyo de la hoja (4).

- Gire la perilla de bloqueo (7) en dirección **A**.
- Deslice el rodillo de soporte de la hoja contra la parte posterior de la hoja. La hoja debe encajar en la ranura central del rodillo.
- Gire la perilla de bloqueo (7) en dirección **B** para encajar la platina en su lugar.

PARA CONECTAR LA ASPIRADORA A LA HERRAMIENTA (FIG. C & D)

- Alinear el adaptador de extracción de polvo (9) con la platina de la sierra según se ilustra.
- Insertar las nervaduras (12) en las ranuras (13).
- Girar el adaptador hasta que encaja en posición. Asegurar que las nervaduras (14) se asientan correctamente.
- Conectar la manguera de la aspiradora (11)(no suministrada) al adaptador.

No es posible extraer el polvo cuando se realizan cortes de biselado.

USO

▲ADVERTENCIA: Nunca use la herramienta cuando la platina está aflojada o quitada.

AJUSTE DE LA PLATINA PARA CORTES DE BISELADO (FIG. E)

Se puede fijar la platina para un ángulo de biselado hacia derecha o izquierda hasta 45°.

- Gire la perilla de bloqueo (7) en dirección **A** para liberar la platina (6).
- Tire de la platina (6) hacia atrás y fíjela al ángulo requerido. Usted puede usar la escala o un transportador para verificar el ángulo.
- Gire la perilla de bloqueo (7) en dirección **B** para encajar la platina en su lugar.

Para fijar de nuevo la platina para cortes rectos:

- Gire la perilla de bloqueo (7) en dirección **A** para liberar la platina (6).
- Tire de la platina (6) hacia atrás y fíjela al ángulo de aproximadamente 0.
- Empuje la platina hacia adelante.
- Gire la perilla de bloqueo (7) en dirección **B** para encajar la platina en su lugar. Asegúrese de la platina está apoyada por las nervaduras de guía.

PARA PRENDER Y APAGAR LA HERRAMIENTA

- Para prender la herramienta, oprima el interruptor de velocidad variable (1). La velocidad de la herramienta depende de cuán profundo usted oprime el interruptor.
- Para una operación continua, oprima el botón de bloqueo (2) y suelte el interruptor de velocidad variable. Esta opción sólo se puede utilizar a velocidad máxima.
- Para apagar la herramienta, suelte el interruptor de velocidad variable. Para apagar la herramienta mientras está en operación continua, oprima el interruptor de velocidad variable una vez más y suéltelo.

CÓMO UTILIZAR EL DISPOSITIVO SIGHTLINE® (FIG.F)

- Use un lápiz para marcar la línea de corte.
- Posicione la sierra caladora encima de la línea (15).

Al poder ver la línea de corte directamente desde encima de la sierra, ésta puede seguirse fácilmente. Si esta vista queda restringida por alguna razón, se puede utilizar la muesca (16) como guía alternativa de corte.

MONTAJE - JS600 ÚNICAMENTE

▲ADVERTENCIA: Antes de intentar algunas de las siguientes operaciones, asegúrese que la herramienta está apagada y desconectada y que la hoja de sierra ya no se mueve.

COLOCACIÓN DE LA HOJA DE SIERRA (FIG.G)

- Sujete la hoja (7) según se ilustra, con los dientes hacia adelante.
- Empuje la palanca (5) hacia abajo.
- Inserte la espiga de la hoja en el portahoja (12) lo más adentro que pueda.
- Suelte la palanca.

PARA CONECTAR LA ASPIRADORA A LA HERRAMIENTA (FIG. H & I)

- Alinear el adaptador de extracción de polvo (11) con la platina de la sierra según se ilustra.
- Insertar las nervaduras (14) en las ranuras (15).
- Girar el adaptador hasta que encaja en posición. Asegurar que las nervaduras (16) se asientan correctamente.
- Conectar la manguera de la aspiradora (13) (no suministrada) al adaptador.

No es posible extraer el polvo cuando realiza cortes de biselado.

USO

▲ADVERTENCIA: Nunca use la herramienta cuando la platina está aflojada o quitada.

AJUSTE DE LA PLATINA PARA CORTES DE BISELADO (FIG. J)

Se puede fijar la platina para un ángulo de biselado hacia derecha o izquierda hasta 45°.

- Gire la perilla de bloqueo (9) en dirección **A** para liberar la platina (8).
- Tire de la platina (8) hacia atrás y fíjela al ángulo requerido. Usted puede usar la escala o un transportador para verificar el ángulo.
- Gire la perilla de bloqueo (9) en dirección **B** para encajar la platina en su lugar.

Para fijar de nuevo la platina para cortes rectos:

- Gire la perilla de bloqueo (9) en dirección **A** para liberar la platina (8).
- Tire de la platina (8) hacia atrás y fíjela al ángulo de aproximadamente 0.
- Empuje la platina hacia adelante.
- Gire la perilla de bloqueo (9) en dirección **B** para encajar la platina en su lugar. Asegúrese de la platina está apoyada por las nervaduras de guía.

CONTROL DE VELOCIDAD VARIABLE

Fije la perilla de velocidad variable (3) al rango de velocidad requerido. Use velocidad alta para madera, mediana para aluminio y PVC y baja para los demás metales que no sean aluminio.

TURBOSELECTOR DE ACCIÓN ORBITAL

- Para cortes rectos en madera, rápidos y eficientes, fije el turboselector de acción orbital (4) a "max".
- Para obtener cortes de precisión rectos o curvos y un acabado liso, fije el turboselector (4) a "min".
- También se puede fijar el turboselector de acción orbital (4) a una posición intermedia entre "max" y "min", para un corte y acabado de velocidad moderada.

Nota: No se recomienda la acción orbital para contornear.

PARA PRENDER Y APAGAR LA HERRAMIENTA

- Para prender la herramienta, oprima el interruptor prende/apaga (1).
- Para una operación continua, oprima el botón para funcionamiento continuo (2) y suelte el interruptor prende/apaga.
- Para apagar la herramienta, suelte el interruptor prende/apaga. Para apagar la herramienta mientras está en operación continua, oprima el interruptor prende/apaga una vez más y suéltelo.

CÓMO UTILIZAR EL DISPOSITIVO SIGHTLINE® (FIG.K)

- Use un lápiz para marcar la línea de corte.
- Posicione la sierra caladora encima de la línea (17).

Al poder ver la línea de corte directamente desde encima de la sierra, ésta puede seguirse fácilmente. Si esta vista queda restringida por alguna razón, se puede utilizar la muesca (18) como guía alternativa de corte.

SUGERENCIA PARA UN USO ÓPTIMO

GENERAL

- Use velocidad alta para madera, mediana para aluminio y PVC y baja para los demás metales que no sean aluminio.

PARA ASERRAR LAMINADOS

Como la hoja de sierra hace el corte en su trayectoria hacia arriba, puede que la superficie más cercana a la platina se astille.

- Use una hoja de dientes afinados.
- Haga el aserrado desde la superficie posterior de la pieza de corte.
- A fin de minimizar el astillado, afiance un resto de madera o madera prensada a ambos lados de la pieza de corte y proceda a aserrar a través de esta especie de "sandwich".

ASERRADO EN METAL

- Para empezar, recuerde que aserrar metales toma mucho más tiempo que aserrar madera.
- Use una hoja apropiada para aserrar metales.
- En cortes de láminas delgadas, afiance un resto de madera a la parte posterior de la pieza y corte a través de esta especie de "sandwich".
- Esparza una película fina de aceite a lo largo de la línea de corte propuesta.

⚠ATENCIÓN: No utilice el adaptador de aspiradora cuando corte en metal. Las limaduras de metal pueden estar calientes y pueden ocasionar un incendio.

MANTENIMIENTO

Utilice solamente jabón suave y agua para limpiar la herramienta. Nunca permita que ningún líquido se introduzca dentro de la misma; nunca sumerja ninguna parte de la herramienta dentro de algún líquido.

IMPORTANTE: Para garantizar la SEGURIDAD y la FIABILIDAD del producto, toda reparación, mantenimiento y ajuste, deberán ser realizados en los centros autorizados de servicio u otras organizaciones de servicio calificadas, utilizando siempre para ello accesorios originales.

ACCESORIOS

Los accesorios que se recomiendan usar con su herramienta están disponibles donde su distribuidor o centro de servicio local. De necesitar asistencia para obtener un accesorio, favor llamar a: (55) 5326-7100.

⚠ADVERTENCIA: Puede ser peligroso usar cualquier accesorio no recomendado.

INFORMATION ACERCA DE NUESTROS CENTROS DE SERVICIO

Black & Decker ofrece una red completa de centros de servicio y centros autorizados en toda Norteamérica. Todos los centros de servicio Black & Decker disponen de personal entrenado para dar un servicio eficiente y confiable a las herramientas eléctricas de sus clientes. De necesitar orientación técnica, reparación o repuestos originales de fábrica, diríjase al centro Black & Decker local. Para hallar la ubicación del centro de servicio más cercano, busque en las páginas amarillas de la guía telefónica bajo "Herramientas—Eléctricas" o llame a:

(55) 5326-7100.

GARANTÍA COMPLETA DE DOS AÑOS PARA USO DOMÉSTICO

Black & Decker (U.S.) Inc. garantiza este producto por dos años contra todo defecto de material y fabricación. El producto defectuoso será reemplazado o reparado sin costo en una de las dos formas siguientes.

La primera opción, que resultará en intercambio solamente, será devolviendo el producto al minorista donde fue comprado (siempre que la tienda sea un minorista participante). Las devoluciones deberán hacerse dentro del período de intercambio que el minorista tiene por política (generalmente de 30 a 90 días después de la venta). La prueba de compra podrá ser requerida. Favor informarse con el minorista sobre la política específica de devolución en cuanto a devoluciones hechas en fecha posterior a la fijada para intercambios.

La segunda opción es llevar o enviar el producto (pre-pagado) a un centro de servicio Black & Decker o un centro autorizado para reparaciones o reemplazo, a nuestra discreción. La prueba de compra podrá ser requerida. Los centros de servicio Black & Decker o centros autorizados se anuncian bajo "Herramientas - Eléctricas" en las páginas amarillas de la guía telefónica.

Esta garantía no aplica a los accesorios. Esta garantía le otorga a usted derechos legales específicos y otros derechos que pueden variar de estado en estado. Si tiene alguna pregunta, comuníquese con el gerente de su centro de servicio Black & Decker más cercano.

Este producto no está destinado al uso comercial.

ARA REPARACION Y SERVICIO DE SUS HERRAMIENTAS ELECTRICAS FAVOR DE DIRIGIRSE AL CENTRO DE SERVICIO MAS CERCANO

CULIACAN	Av. Nicolas Bravo #1063 Sur	(56 77) 12 42 10
GAUDALAJARA	Av. La Paz #1770	(33 38) 26 69 78
LEON	Polara #32	(47 77) 13 14 56
MEXICO	Sonora #134 Hiprodromo Condesa	(55 55) 53 99 79
MERIDA	Calle 63 #459	(99 99) 23 54 90
MONTERREY	Av. Francisco I. Madero Pte. 1820-A	(81 83) 72 11 25
PUEBLA	17 Norte #2057	(22 22) 46 90 20
QUERETARO	Av. Madero 139 Pte.	(44 22) 14 60 60
SAN LOUIS POTOSI	Pedro Moreno #408 Fracc. la Victoria	(44 48) 14 25 67
TORREON	Bldv. Independencia, 96 pte.	(87 17) 16 52 65
VERACRUZ	Prolongación Diaz Miron #4280	(29 99) 21 70 18
VILLAHERMOSA	Zaragoza #105	(99 33) 12 53 17

PARA OTRAS LOCALIDADES LLAME AL: (55) 5326-7100 INFORMACIÓN DE SERVICIO

ESPECIFICACIONES

JS500

Tensión de alimentación: 120 V~ Potencia nominal: 446 W
Frecuencia de operacion: 60 Hz Consumo de corriente: 4A

JS600

Tensión de alimentación: 120 V~ Potencia nominal: 502 W
Frecuencia de operacion: 60 Hz Consumo de corriente: 4,5A

Para servicio y ventas consulte
"HERRAMIENTAS ELECTRICAS"
en la sección amarilla.



BLACK & DECKER S.A. DE C.V.
BOSQUES DE CIDROS ACCESO RADIATAS NO. 42
COL. BOSQUES DE LAS LOMAS.
05120 MÉXICO, D.F.
TEL. 3-26-71-00